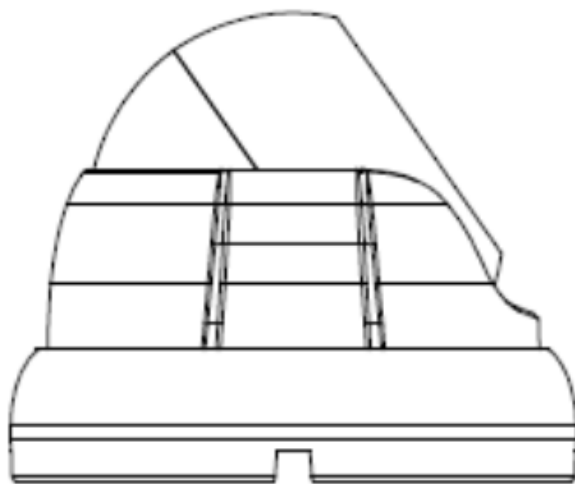
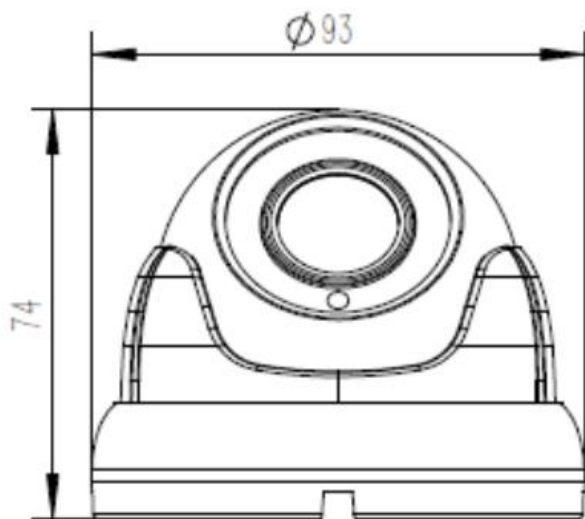


## F-ND222/IRP



### KEY FEATURES

- H.264/H.264+/H.265/H.265+
- IR range: 20m
- IP67
- Support PoE
- Support Starlight



## Specification

	MODEL NO.ZZ	F-ND222/IRP
Camera	Image Sensor	1/ 2.8" CMOS
	Resolution	2MP
	Compression	H.264/H.264+/H.265/H.265+/-
	Minimum Illumination	0.005Lux
Lens	Focus Length	2.8 mm
	Lens Type	Fixed
Night Vision	LED	14μ x 18PCS
	Infrared Distance	20m
Network	Ethernet	RJ-45 (10/100Base-T)
	ONVIF	Support ONVIF 2.4
	Main Stream	2048*1536@15fps 1920*1080@30fps
	Sub Stream	720*480@15fps 720*480@30fps
	Smartphone	iPhone, iPad, Android, Android Pad
Camera Features	Starlight	Support
	BLC	Support
	Defog Mode	Support
	WDR	WDR: 96dB
	Motion Detection	Support
	Privacy Masking	3 Rectangular Zone
	Recording Mode	NVR/CMS/Web
General	Weatherproof	IP67
	Operation Temperature	-20°C~ +60°C RH95% Max
	Storage Temperature	-20°C~ +60°C RH 95% Max
	Power Source	PoE; DC12V±10%,750mA
	Dimension	Φ 93 x 74(H) mm
	Weight	400g