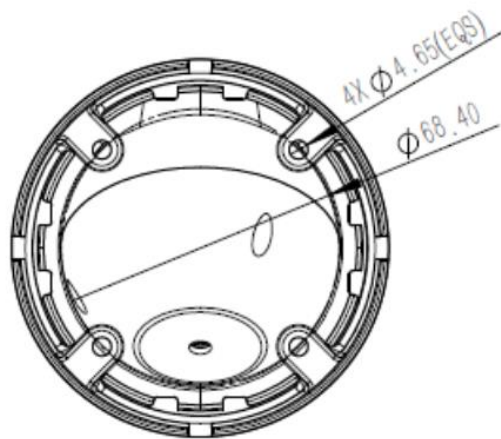
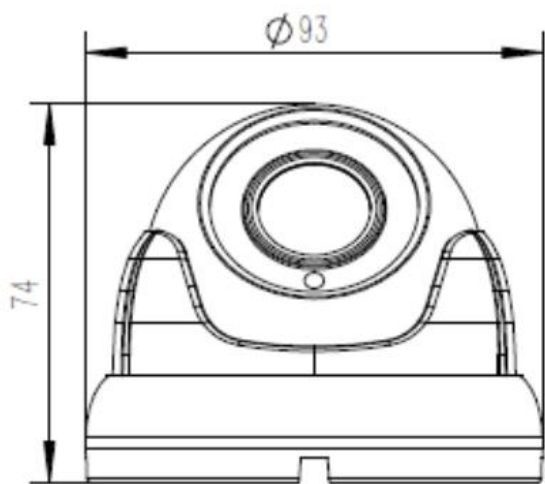


F-ND222S/P



KEY FEATURES

- H.265+/H.264+/H.265/H.264
- IR: 20m
- IP66
- Support PoE
- Support Starlight



Specification

	MODEL NO.ZZ	F-ND222S/P
Camera	Image Sensor	1/ 2.8" CMOS
	Resolution	2MP
	Compression	H.264/ H.264+/H.265/H.265+
	Minimum Illumination	0.005Lux
Lens	Focus Length	2.8 mm
	Lens Type	Fixed
Night Vision	LED	14μ x 18 PCS
	Infrared Distance	20m
Network	Ethernet	RJ-45(10/100Base- T)
	ONVIF	Onvif 2.4
	Main Stream	2304*1296@20fps/1920*1080@30fps
	Sub Stream	720*480@15fps/720*480@30fps
	Web Browser	IE11, Google Chrome (lower than ver 44), Firefox (lower than ver 53)
	Smartphone	iPhone, iPad, Android, Android Pad
Camera Features	Starlight	Support
	White Balance	Auto/Manual
	BLC	Support
	Defog Mode	Support
	WDR	WDR: 96DB
	Motion Detection	Support
	Privacy Masking	3 Rectangular Zone
	Recording Mode	NVR/CMS/Web
Interface	Audio	/
	Alarm	/
	SD Card Slot	/
	RS485	/
General	Weatherproof	IP66
	Operation Temperature	-20°C~ +60°C RH 95% Max
	Storage Temperature	-20°C~ +60°C RH 95% Max
	Power Source	POE/ DC12V±10%. 850mA
	Dimension	Φ 93 x 74(H) mm
	Weight	400g