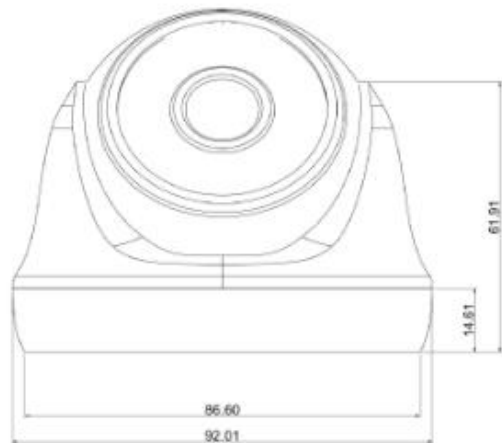
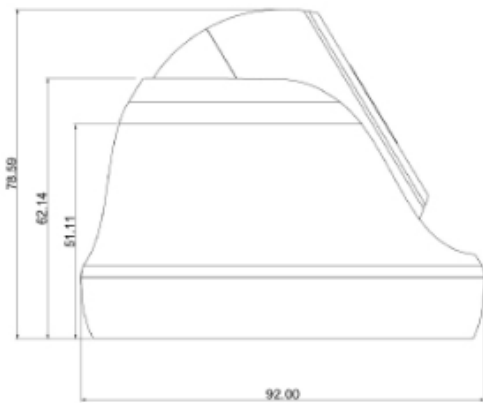


## F-ND230N/P



### KEY FEATURES

- H.264/H.264+/H.265/H.265+
- IR: 20m
- Support PoE



## Specification

	MODEL NO.ZZ	F-ND230N/P
Camera	Image Sensor	1/ 2.9" CMOS
	Resolution	2MP
	Compression	H.264/H.264+/H.265/H.265+
	Minimum Illumination	0.01 Lux
Lens	Focus Length	3.6 mm
	Lens Type	Fixed
Night Vision	LED	14μ x 18 PCS
	Infrared Distance	20m
Network	Ethernet	RJ-45(10/100Base- T)
	ONVIF	Onvif 2.4
	Main Stream	2304*1296@20fps/1920*1080@25fps/1280*720@30fps
	Sub Stream	720*480@20fps/720*480@30fps
	Web Browser	IE11, Google Chrome (lower than ver 44), Firefox (lower than ver 53)
	Smartphone	iPhone, iPad, Android, Android Pad
Camera Features	Starlight	/
	White Balance	Auto/Manual
	BLC	Support
	Defog Mode	Support
	WDR	DWDR: 50dB
	Motion Detection	Support
	Privacy Masking	3 Rectangular Zone
	Recording Mode	NVR/CMS/Web
Interface	Audio	/
	Alarm	/
	SD Card Slot	/
	RS485	/
General	Housing	Plastic
	Operation Temperature	-20°C~ +60°C RH 95% Max
	Storage Temperature	-20°C~ +60°C RH 95% Max
	Power Source	PoE, DC12V±10%. 750mA
	Dimension	160.8(W) x 62(H) x 62(D)mm
	Weight	300g