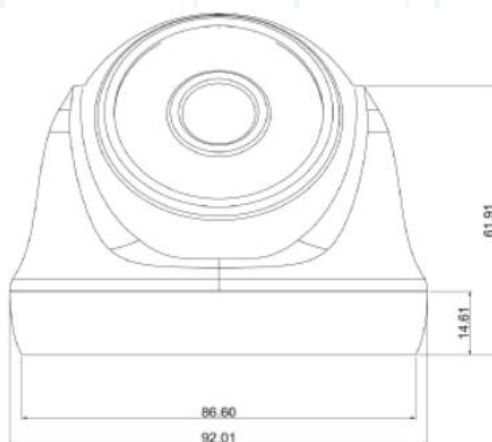
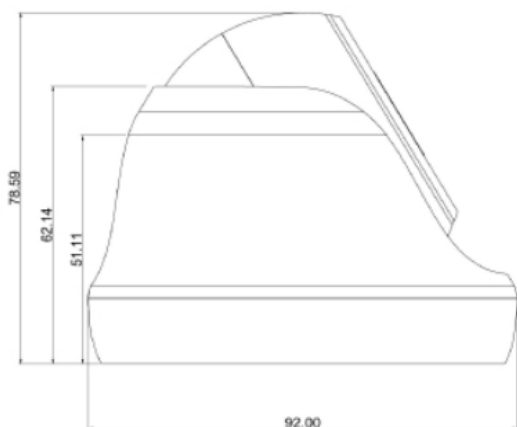


F-ND230NSP



KEY FEATURES

- H.265+/H.264+/H.265/H.264
- IR: 20m
- IP66
- Support Starlight



Specification

	MODEL NO.ZZ	F-ND230NSP
Camera	Image Sensor	1/ 2.8" CMOS
	Resolution	2MP
	Compression	H.264/H.264+/H.265/H.265+
	Minimum Illumination	0.002Lux
Lens	Focus Length	3.6mm
	Lens Type	Fixed
Night Vision	LED	14μ x 18 PCS
	Infrared Distance	20m
Network	Ethernet	RJ-45(10/100Base- T)
	ONVIF	Onvif 2.4
	Main Stream	1920*1080@30fps
	Sub Stream	720*480@15fps
	Web Browser	IE11, Google Chrome (lower than ver 44), Firefox (lower than ver 53)
	Smartphone	iPhone, iPad, Android, Android Pad
Camera Features	Starlight	Support
	White Balance	Auto/Manual
	BLC	Support
	Defog Mode	Support
	WDR	WDR: 96DB
	Motion Detection	Support
	Privacy Masking	3 Rectangular Zone
	Recording Mode	NVR/CMS/Web
Interface	Audio	/
	Alarm	/
	SD Card Slot	/
	RS485	/
General	Weatherproof	IP66
	Operation Temperature	-20°C~ +60°C RH 95% Max
	Storage Temperature	-20°C~ +60°C RH 95% Max
	Power Source	DC12V±10%. 750mA (Non-support PoE)
	Dimension	92(W) x 79(H) x 92(D)mm
	Weight	300g