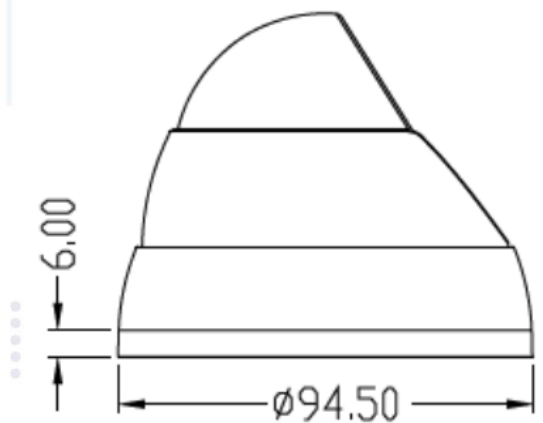
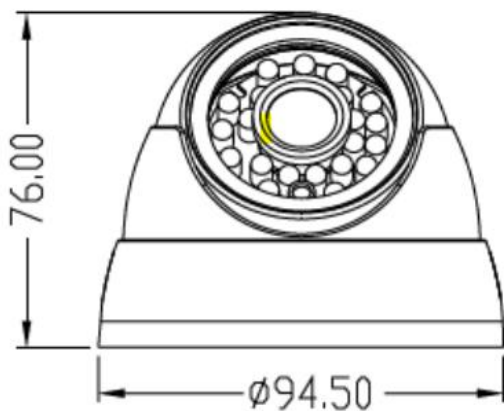


F-ND231/P



KEY FEATURES

- H.265/H.264
- IR: 20M
- IP66
- Support POE



Specification

	MODEL NO.ZZ	F-ND231/P
Camera	Image Sensor	1/ 2.9" CMOS
	Resolution	2MP
	Compression	H.264/ H.265
	Minimum Illumination	0.01Lux
Lens	Focus Length	3.6mm
	Lens Type	Fixed
Night Vision	LED	14μ x 18 PCS
	Infrared Distance	20m
Network	Ethernet	RJ-45(10/100Base- T)
	ONVIF	Onvif 2.4
	Main Stream	2304*1296@20fps/1920*1080@25fps
	Sub Stream	720*480@20fps/720*480@30fps
	Web Browser	IE11, Google Chrome (lower than ver 44), Firefox (lower than ver 53)
	Smartphone	iPhone, iPad, Android, Android Pad
Camera Features	Starlight	/
	White Balance	Auto/Manual
	BLC	Support
	Defog Mode	Support
	WDR	DWDR: 50DB
	Motion Detection	Support
	Privacy Masking	3 Rectangular Zone
	Recording Mode	NVR/CMS/Web
Interface	Audio	/
	Alarm	/
	SD Card Slot	/
	RS485	/
General	Weatherproof	IP66
	Operation Temperature	-20°C~ +60°C RH 95% Max
	Storage Temperature	-20°C~ +60°C RH 95% Max
	Power Source	POE/ DC12V±10%. 750mA
	Dimension	∅ 94.5 x 76(H) mm
	Weight	450g

