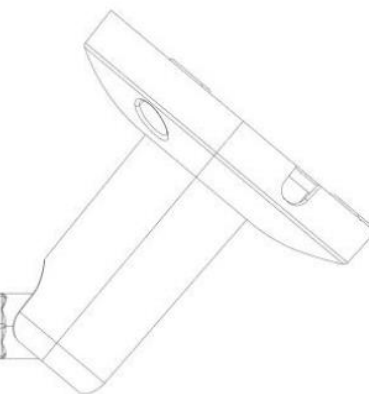
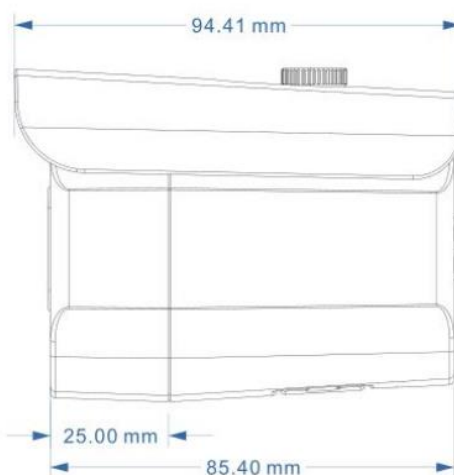
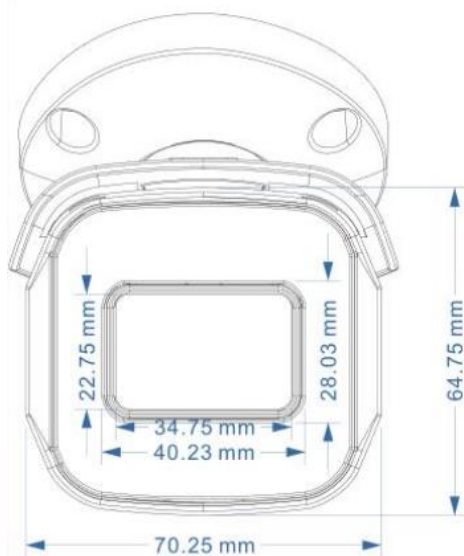


F-NP1242/P



KEY FEATURES

- 4K Camera
- H.265+/H.264+/H.265/H.264
- IR: 40m
- IP67
- Support PoE
- 2-way Audio



Specification

| | MODEL NO.ZZ | F-NP1242/P |
|-----------------|-----------------------|---|
| Camera | Image Sensor | 1/ 1.7" CMOS |
| | Resolution | 12MP |
| | Compression | H.264/ H.264+/ H.265/ H.265+ |
| | Minimum Illumination | 0.01 Lux |
| Lens | Focus Length | 4 mm |
| | Lens Type | Fixed |
| Night Vision | LED | 42μ x 4PCS |
| | Infrared Distance | 40m |
| Network | Ethernet | RJ-45(10/100Base- T) |
| | ONVIF | Onvif 2.4 |
| | Main Stream | 4000*3000@20fps/2592*1944@30fps/1920*1080@30fps |
| | Sub Stream | 720*480@20fps/720*480@30fps |
| | Web Browser | IE11, Google Chrome (lower than ver 44), Firefox (lower than ver 53) |
| | Smartphone | iPhone, iPad, Android, Android Pad |
| Camera Features | Starlight | / |
| | White Balance | Auto/Manual |
| | BLC | Support |
| | Defog Mode | Support |
| | WDR | DWDR: 50DB |
| | Motion Detection | Support |
| | Privacy Masking | 3 Rectangular Zone |
| | Recording Mode | NVR/CMS/Web |
| Interface | Audio | 2-way audio |
| | Alarm | 1 channel input/output alarm |
| | SD Card Slot | / |
| | RS485 | / |
| General | Weatherproof | IP67 |
| | Operation Temperature | -20°C~ +60°C RH95% Max |
| | Storage Temperature | -20°C~ +60°C RH 95% Max |
| | Power Source | POE/ DC12V±10%. 950mA |
| | Dimension | 170(W) x 75(H) x 77(D)mm |
| | Weight | 770g |