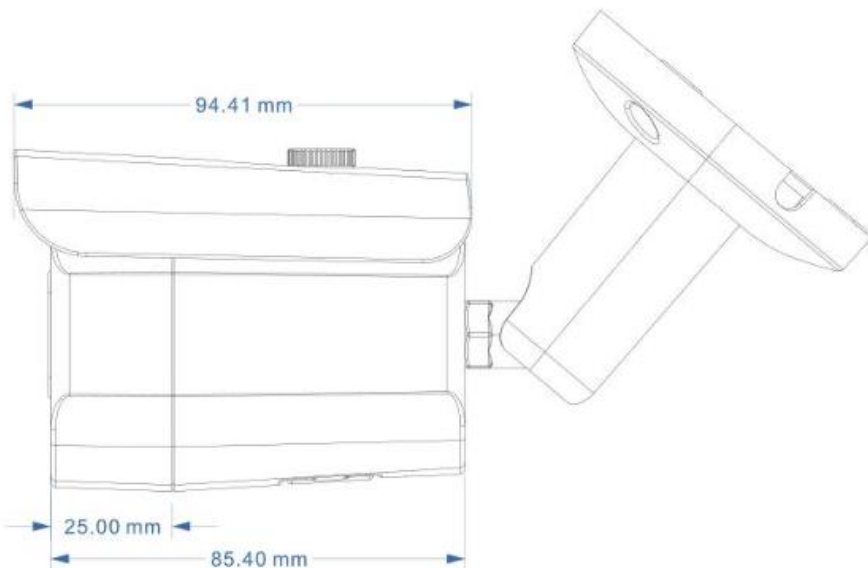
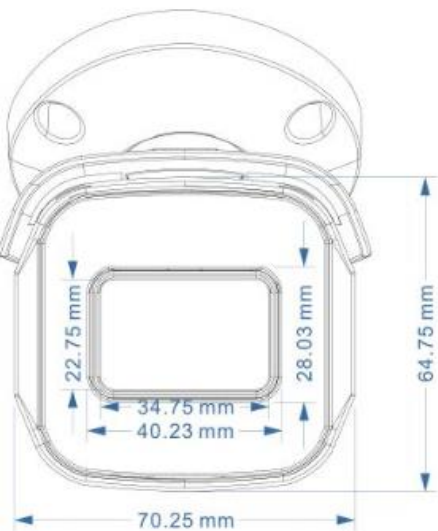


F-NP222/P



KEY FEATURES

- H.265/H.264
- IR: 25m
- IP67
- Support PoE
- Support SD Card



Specification

	MODEL NO.ZZ	F-NP222/P
Camera	Image Sensor	1/ 2.9" CMOS
	Resolution	2MP
	Compression	H.264/ H.265
	Minimum Illumination	0.01 Lux
Lens	Focus Length	2.8 mm
	Lens Type	Fixed
Night Vision	LED	42μ x 2PCS
	Infrared Distance	25m
Network	Ethernet	RJ-45(10/100Base- T)
	ONVIF	Onvif 2.4
	Main Stream	2304*1296@20fps/1920*1080@25fps/1280*720@30fps
	Sub Stream	720*480@20fps/720*480@30fps
	Web Browser	IE11, Google Chrome (lower than ver 44), Firefox (lower than ver 53)
	Smartphone	iPhone, iPad, Android, Android Pad
Camera Features	Starlight	/
	White Balance	Auto/Manual
	BLC	Support
	Defog Mode	Support
	WDR	DWDR: 50DB
	Motion Detection	Support
	Privacy Masking	3 Rectangular Zone
	Recording Mode	NVR/CMS/Web
Interface	Audio	Optional
	Alarm	/
	SD Card Slot	Support
	RS485	/
General	Weatherproof	IP67
	Operation Temperature	-20°C~ +60°C RH95% Max
	Storage Temperature	-20°C~ +60°C RH 95% Max
	Power Source	PoE/ DC12V±10%. 700mA
	Dimension	170(W) x 75(H) x 77(D)mm
	Weight	770g