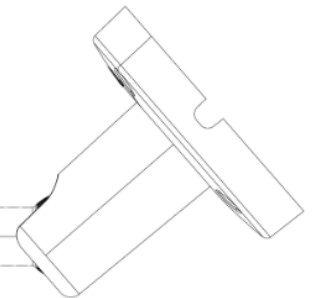
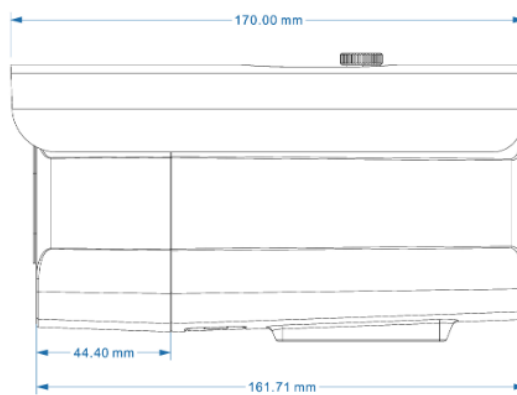
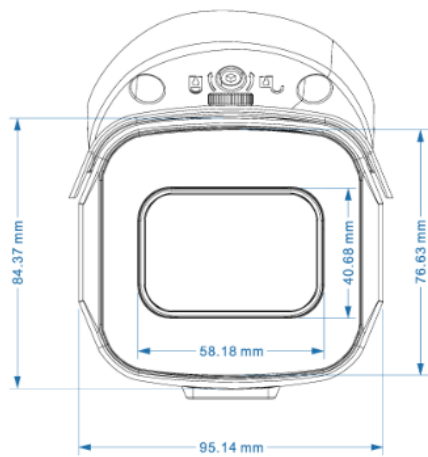


## F-NP523/AFP-2



### KEY FEATURES

- Auto Focus
- Motor Zoom
- H.265+/H.264+/H.265/H.264
- IR: 60m
- IP67
- Support PoE



## Specification

|                 | MODEL NO.ZZ           | F-NP523/AFP-2   |
|-----------------|-----------------------|---|
| Camera          | Image Sensor          | 1/ 2.8" CMOS  |
|                 | Resolution            | 5MP   |
|                 | Compression           | H.264/H.264+/H.265/H.265+   |
|                 | Minimum Illumination  | 0.01Lux   |
| Lens            | Focus Length          | 2.7 - 13.5 mm   |
|                 | Lens Type             | Auto  |
| Night Vision    | LED                   | 42μ x 6PCS  |
|                 | Infrared Distance     | 60m   |
| Network         | Ethernet              | RJ-45(10/100Base- T)  |
|                 | ONVIF                 | Onvif 2.4   |
|                 | Main Stream           | 2592*1944@20fp/2560*1920@20fp/1920*1080@30fps                           |
|                 | Sub Stream            | 720*480@15fps/720*480@30fps   |
|                 | Web Browser           | IE11, Google Chrome (lower than ver 44),<br>Firefox (lower than ver 53) |
|                 | Smartphone            | iPhone, iPad, Android, Android Pad                                      |
| Camera Features | Starlight             | /   |
|                 | White Balance         | Auto/Manual   |
|                 | BLC                   | Support   |
|                 | Defog Mode            | Support   |
|                 | WDR                   | DWDR: 50DB  |
|                 | Motion Detection      | Support   |
|                 | Privacy Masking       | 3 Rectangular Zone  |
|                 | Recording Mode        | NVR/CMS/Web   |
| Interface       | Audio                 | /   |
|                 | Alarm                 | /   |
|                 | SD Card Slot          | /   |
|                 | RS485                 | /   |
| General         | Weatherproof          | IP67  |
|                 | Operation Temperature | -20°C~ +60°C RH95% Max  |
|                 | Storage Temperature   | -20°C~ +60°C RH 95% Max   |
|                 | Power Source          | POE/ DC12V±10%. 1100mA  |
|                 | Dimension             | 170(W) x 110(H) x 101(D)mm  |
|                 | Weight                | 1.6Kg   |