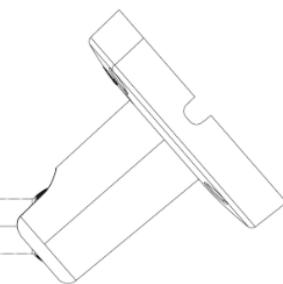
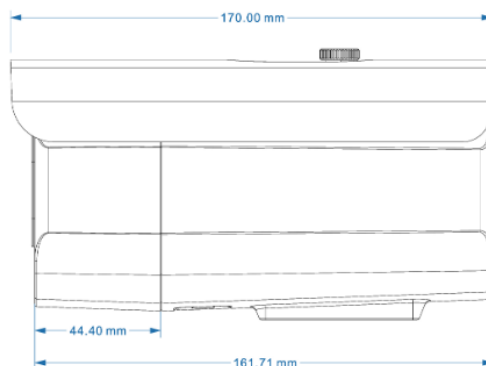
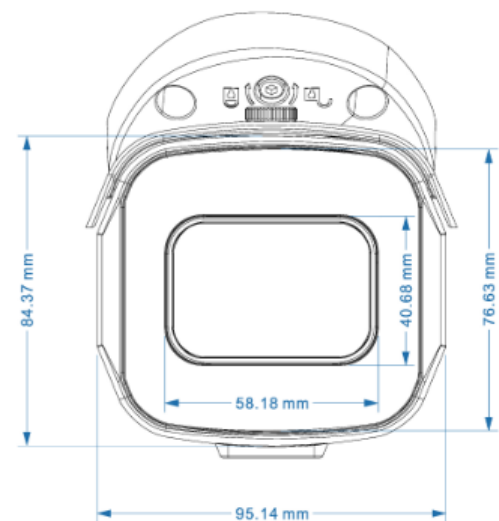


## F-NP583/P-2



### KEY FEATURES

- H.265+/H.264+/H.265/H.264
- IR: 60m
- IP67
- Support PoE



## Specification

	MODEL NO.ZZ	F-NP583/P-2
Camera	Image Sensor	1/ 2.5" CMOS
	Resolution	5MP
	Compression	H.264/H.264+/H.265/H.265+
	Minimum Illumination	0.01 Lux
Lens	Focus Length	8 mm
	Lens Type	Fixed
Night Vision	LED	42μ x 6PCS
	Infrared Distance	60m
Network	Ethernet	RJ-45(10/100Base- T)
	ONVIF	Onvif 2.4
	Main Stream	2592*1944 @20fp/2560*1920 @20fp/1920*1080 @30fps
	Sub Stream	720*480 @15fps/720*480 @30fps
	Web Browser	IE11, Google Chrome (lower than ver 44), Firefox (lower than ver 53)
	Smartphone	iPhone, iPad, Android, Android Pad
Camera Features	Starlight	/
	White Balance	Auto/Manual
	BLC	Support
	Defog Mode	Support
	WDR	DWDR: 50DB
	Motion Detection	Support
	Privacy Masking	3 Rectangular Zone
	Recording Mode	NVR/CMS/Web
Interface	Audio	/
	Alarm	/
	SD Card Slot	/
	RS485	/
General	Weatherproof	IP67
	Operation Temperature	-20°C~ +60°C RH95% Max
	Storage Temperature	-20°C~ +60°C RH 95% Max
	Power Source	POE/ DC12V±10%. 1100mA
	Dimension	170(W) x 110(H) x 101(D)mm
	Weight	1.6Kg