

# HUVIRON

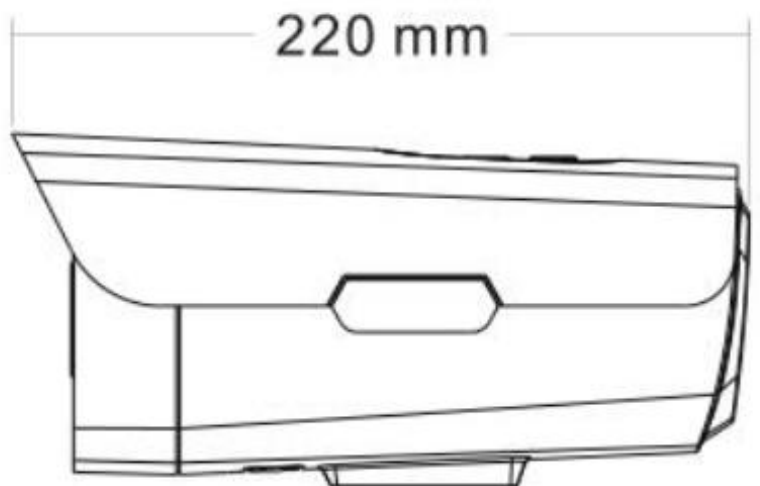
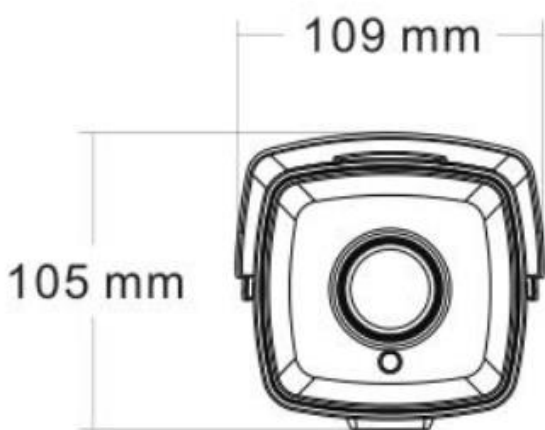
Create your own safety

F-SNP268/P



## KEY FEATURES

- H.265+/H.264+/H.265/H.264
- IP66
- Support PoE
- Full Starlight
- SD Card Slot



## Specification

	MODEL NO.ZZ	F-SNP268/P
Camera	Image Sensor	1/ 2.8" CMOS
	Resolution	2MP
	Compression	H.264/ H.264+/H.265/H.265+
	Minimum Illumination	0.001Lux
Lens	Focus Length	6 mm
	Lens Type	Fixed
Night Vision	LED	No, Support Whilit light LED 45μ x 4PCS
	Infrared Distance	/
Network	Ethernet	RJ-45(10/100Base- T)
	ONVIF	Onvif 2.4
	Main Stream	2048*1536@15fps/1920*1080@30fps
	Sub Stream	720*480@20fps/720*480@30fps
	Web Browser	IE11, Google Chrome (lower than ver 44), Firefox (lower than ver 53)
	Smartphone	iPhone, iPad, Android, Android Pad
Camera Features	Full Starlight	Support
	White Balance	Auto/Manual
	BLC	Support
	Defog Mode	Support
	WDR	WDR: 96DB
	Motion Detection	Support
	Privacy Masking	3 Rectangular Zone
	Recording Mode	NVR/CMS/Web
Interface	Audio	/
	Alarm	/
	SD Card Slot	Support Max 128GB
	RS485	/
General	Weatherproof	IP66
	Operation Temperature	-20°C~ +60°C RH95% Max
	Storage Temperature	-20°C~ +60°C RH 95% Max
	Power Source	POE/ DC12V±10%. 800mA
	Dimension	220(W) x 105(H) x 109(D)mm
	Weight	1.4Kg