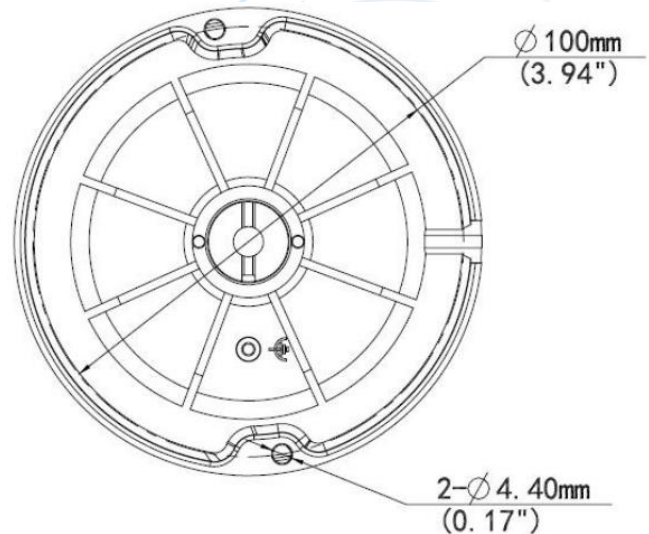
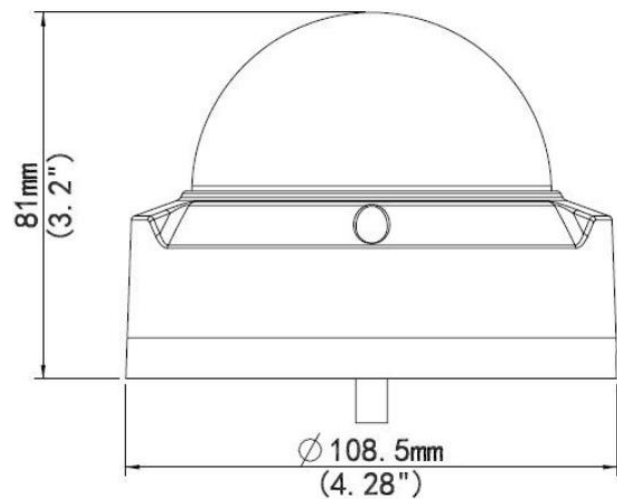


HU-ND221D/I3E



KEY FEATURES

- Ultra 265, H.265, H.264
- IR: Up to 30m
- IP67, IK10
- Support MicroSD, up to 128GB
- Support PoE
- Smart Function: Human Body Detection, Motion Detection, Tampering Alarm



Specification

	Model No.ZZ	HU-ND221D/I3E
Camera	Image Sensor	1/2.7" CMOS sensor
	Resolution	2Mp
	Minimum Illumination	Colour: 0.02Lux (F2.0, AGC ON), 0Lux with IR on
Lens	Focus length	2.8mm
	Lens Type	Fixed
	View Angle	H: 112.70, V: 60.10, O: 121.20
	DORI distance	D: 66.7m, O: 26.7m, R: 13.3m, I: 6.7m
Night vision	IR range	Up to 30m
Camera features	DNR	2D/3D DNR
	S/N	>52dB
	WDR	120dB
	HLC	Support
	BLC	Support
	Defog	Digital Defog
	Flip	Normal/Vertical/Horizontal/180°
	OSD	Up to 4 OSD
	Privacy Mask	Up to 8 areas
	Motion detection	Up to 4 areas
Smart	Behavior Detection	Human Body Detection, Motion Detection, Tampering Alarm
Video	Video compression	Ultra 265, H.265, H.264, MJPEG
	H.264 code profile	Baseline profile, Main Profile, High Profile
	Frame rate	Main Stream: 1080P (1920*1080), Max 30fps; 720P (1280*720), Max 30fps; Sub Stream: 720P(1280*720), Max 30fps
Network	Onvif	ONVIF (Profile S, Profile T), API
	Interface	10/100M Base-TX Ethernet
	Web Browser	Plug-in required live view: IE9+, Chrome 41 and below, Firefox 52 and below
General	Storage	Micro SD, up to 128GB
	Power	DC 12V±25%, PoE (IEEE 802.3af), Max 3.5W
	Waterproof	IP67
	Vandal Resistant	IK10
	Surge Protection	2kV
	Working Enviroment	-35°C ~ 60°C (-22°F ~ 140°F), Humidity: ≤95% RH (non-condensing)
	Weight	0.45kg
	Dimensions	Φ109 x 81mm (Φ4.3" x 3.2")