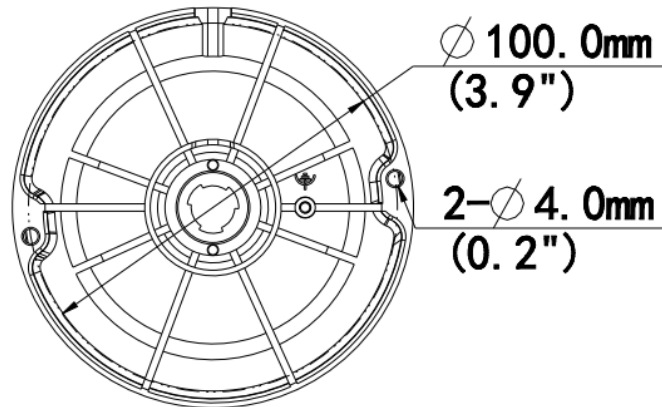
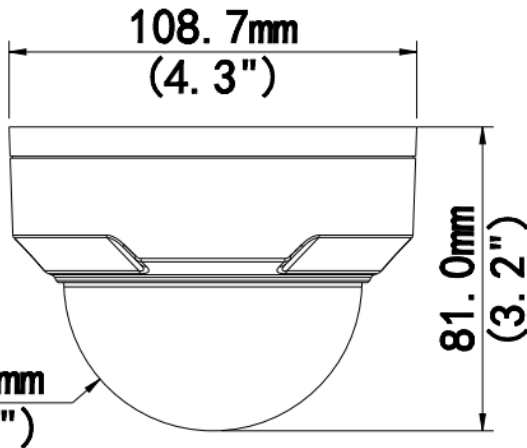
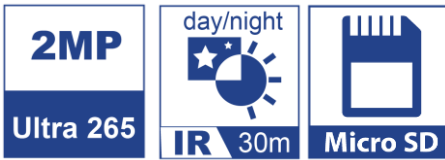


HU-ND221DW/I3



KEY FEATURES

- Ultra 265, H.265, H.264
- IR: Up to 30m
- IP67, IK10
- Support Wireless
- Support MicroSD 256GB
- Smart Function: Intrusion, Human Body Detection, Motion detection, Tampering alarm, Enter and loiter in a pre-defined virtual region



Specification

	Model No.ZZ	HU-ND221DW/I3
Camera	Image Sensor	1/2.7" CMOS sensor
	Resolution	2Mp
	Minimum Illumination	Colour: 0.02Lux (F2.0, AGC ON), 0Lux with IR on
Lens	Focus length	2.8mm
	Lens Type	Fixed
	View Angle	H: 112.7°, V: 60.1°, O: 146.5°
	DORI distance	D: 42m, O: 16.8m, R: 8.4m, I: 4.2m
Night vision	IR range	Up to 30m
Camera features	DNR	2D/3D DNR
	S/N	>52dB
	WDR	DWDR
	HLC	Support
	BLC	Support
	Defog	Digital Defog
	OSD	Up to 4 OSD
	Privacy Mask	Up to 4 areas
	Motion detection	Up to 4 areas
Smart	Behavior Detection	Intrusion, Human Body Detection, Motion detection, Tampering alarm
	Intrusion	Enter and loiter in a pre-defined virtual region
Video	Video compression	Ultra 265, H.265, H.264, MJPEG
	H.264 code profile	Baseline profile, Main Profile
	Frame rate	Main Stream: 2MP(1920*1080), Max 20fps; Sub Stream: 720 (1280*720), Max 20fps; Third Stream: 4CIF (704*576), Max 20fps

Specification

Network	Onvif	ONVIF(Profile S, Profile G, Profile T), API
	Interface	1 RJ45 10/100M Base-TX Ethernet
	Web Browser	Plug-in required live view: IE9+, Chrome 41 and below, Firefox 52 and below
Wifi	Wireless Standards	IEEE802.11b/g/
	Frequency Range	2.4 GHz ~ 2.4835 GHz
	Channel Bandwidth	20 MHz Support
	Modulation Mode	802.11b: CCK, QPSK, BPSK 802.11g/n: OFDM/HT
	Security	64/128-bit WEP, WPA-PSK/WPA2-PSK
	Transmit Power	802.11b: 17±1.5dBm @11Mbps 802.11g: 14±1.5dBm @ 54Mbps 802.11n: 12.5±1.5dBm @150Mbps
	Receive Sensitivity	802.11b: -90dBm @11Mbps (Typical) 802.11g: -75dBm @54Mbps (Typical) 802.11n: -74dBm @150Mbps (Typical)
	Transmission Rate	802.11b: 11Mbps 802.11g: 54Mbps 802.11n: up to 150Mbps
General	Storage	Micro SD, up to 256GB
	Power	DC 12V±25%, Max 5W
	Waterproof	IP67
	Vandal Resistent	IK10
	Working Enviroment	-30°C ~ 60°C (-22°F ~ 140°F), Humidity: ≤95% RH (non-condensing)
	Weight	0.45kg
	Dimensions	Φ109 x 81 mm (Φ4.29" x 3.2")