

HU-ND222D/I3E



KEY FEATURES

- Ultra 265, H.265, H.264
- IR range: Up to 30m
- IP67
- Support PoE
- Smart Function: Human Body Detection, Motion Detection, Tampering Alarm, Enter and loiter in a pre-defined virtual region

2MP



IR 30m



IP67

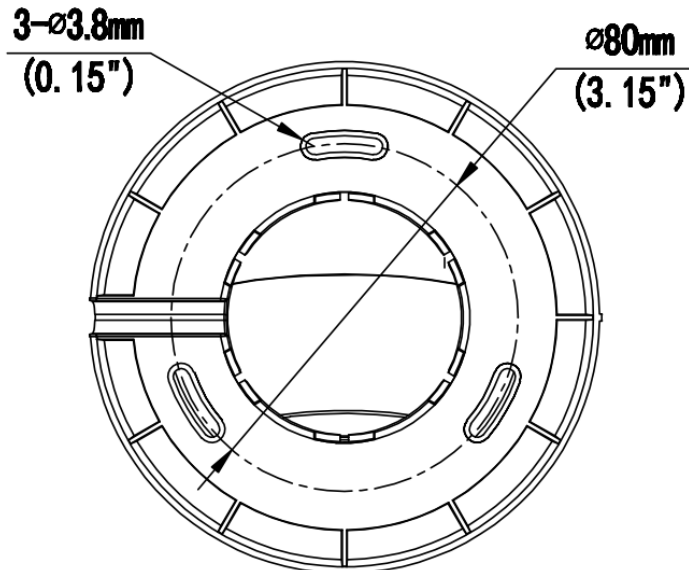
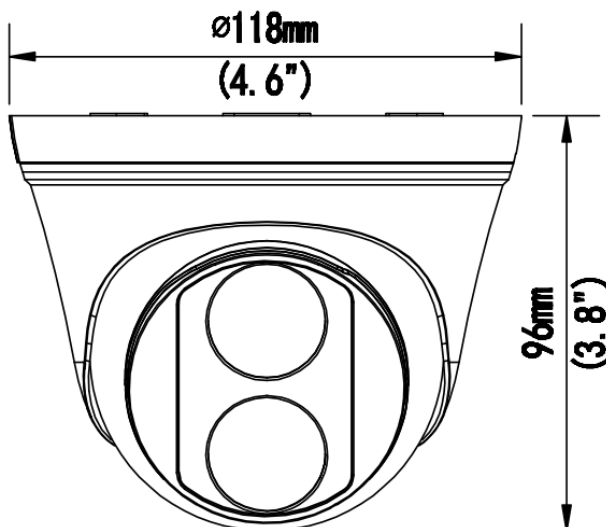


Support



Smart

Ultra 265



Specification

	Model No.ZZ	HU-ND222D/I3E
Camera	Image Sensor	1/2.7" CMOS sensor
	Resolution	2Mp
	Minimum Illumination	Colour: 0.02Lux (F2.0, AGC ON), 0Lux with IR on
Lens	Focus length	2.8mm
	Lens Type	Fixed
	View Angle	H: 112.7°, V: 60.1°, O: 146.5°
	DORI distance	D: 46.7m, O: 18.7m, R: 9.3m, I: 4.7m
Night vision	IR range	Up to 30m
Camera features	DNR	2D/3D DNR
	S/N	>52dB
	WDR	Support
	HLC	Support
	BLC	Support
	OSD	Up to 4 OSD
	Privacy Mask	Up to 8 areas
	Motion detection	Up to 4 areas
Smart	Behavior Detection	Intrusion, Human Body Detection, Motion Detection, Tampering Alarm
	Intrusion	Enter and loiter in a pre-defined virtual region
Video	Video compression	Ultra 265, H.265, H.264, MJPEG
	H.264 code profile	Baseline profile, Main Profile, High Profile
	Frame rate	Main Stream: 1080P (1920*1080), Max 30fps; Sub Stream: 720P (1280*720), Max 30fps; Third Stream: CIF(352*288), Max 30fps
Network	Onvif	ONVIF (Profile S, Profile T), API
	Interface	10/100M Base-TX Ethernet
	Web Browser	Plug-in required live view: IE9+, Chrome 41 and below, Firefox 52 and below
General	Power	DC 12V±25%, PoE (IEEE 802.3af), Max 4.5W
	Waterproof	IP67
	Working Environment	-20°C ~ 50°C (-4°F ~ 122°F), Humidity: ≤95% RH (non-condensing)
	Weight	0.2kg
	Dimensions	Φ118 x 96mm (Φ4.6" x 3.8")