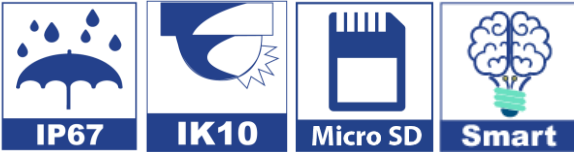
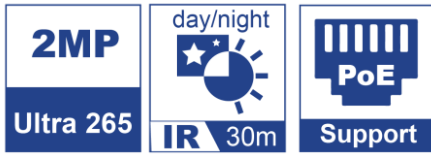
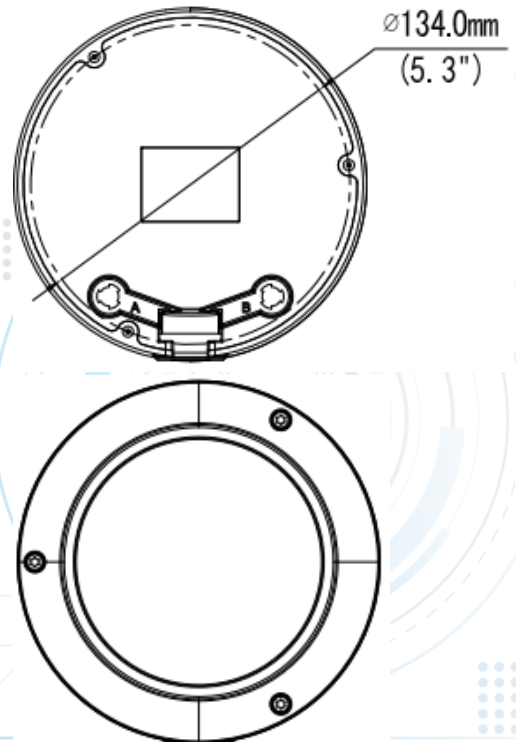
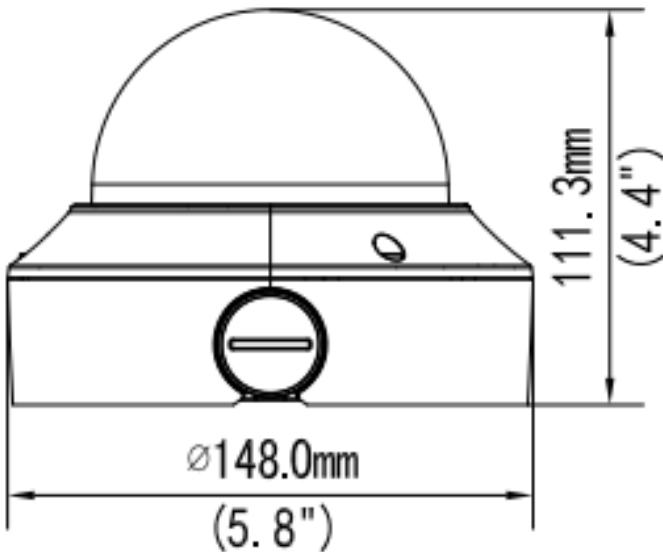


HU-ND224D/I3E-MF



KEY FEATURES

- Ultra 265, H.265, H.264
- IR: Up to 30m
- IP67, IK10
- Support Micro SD, up to 256GB
- Support PoE
- Smart Function: Human Body Detection, Motion Detection, Tampering Alarm



Specification

	Model No.ZZ	HU-ND224D/I3E-MF
Camera	Image Sensor	1/2.7" CMOS sensor
	Resolution	2Mp
	Minimum Illumination	Colour: 0.01Lux (F1.6, AGC ON), 0Lux with IR on
Lens	Focus length	2.8~12mm
	Lens Type	Manual zoom lens
	View Angle	H: 116.5°~ 31.1°, V: 58.8°~17.3°, O: 151.5°~ 38.2°
	DORI distance	D: 42 ~ 180m, O: 16.8 ~ 72m, R: 8.4 ~ 36m, I: 4.2 ~ 18m
Night vision	IR range	Up to 30m
Camera features	DNR	2D/3D DNR
	WDR	DWDR
	HLC	Support
	BLC	Support
	Defog	Digital Defog
	OSD	Up to 4 OSD
	Privacy Mask	Up to 4 areas
	Flip	Normal/Vertical/Horizontal/180°
	Motion detection	Up to 4 areas
Smart	Behavior Detection	Human Body Detection, Motion Detection, Tampering Alarm
Video	Video compression	Ultra 265, H.265, H.264, MJPEG
	H.264 code profile	Baseline profile, Main Profile, High Profile
	Frame rate	Main Stream: 1080P (1920*1080), Max 30fps; Sub Stream: 720P (1280*720), Max 30fps;
Network	Onvif	ONVIF (Profile S, Profile G, Profile T), API
	Interface	10/100M Base-TX Ethernet
	Web Browser	Plug-in required live view: IE9+, Chrome 41 and below, Firefox 52 and below
General	Storage	Micro SD, up to 256GB
	Power	DC 12V±25%, PoE(IEEE 802.3af) Max 6.5W
	Waterproof	IP67
	Vandal Resistant	IK10
	Surge Protection	6kV
	Working Environment	-40°C ~ 60°C (-40°F ~ 140°F), Humidity: ≤95% RH (non-condensing)
	Weight	0.92kg
	Dimensions	Φ148 x 111.3mm (Φ5.8" x 4.4")