

HU-ND522D/I3E



KEY FEATURES

- Ultra 265, H.265, H.264
- IR: Up to 30m
- IP67
- Support PoE
- Smart Function: Intrusion, Human Body Detection, Motion Detection, Tampering Alarm, Enter and loiter in a pre-defined virtual region

5MP

Ultra 265

day/night



IR 30m



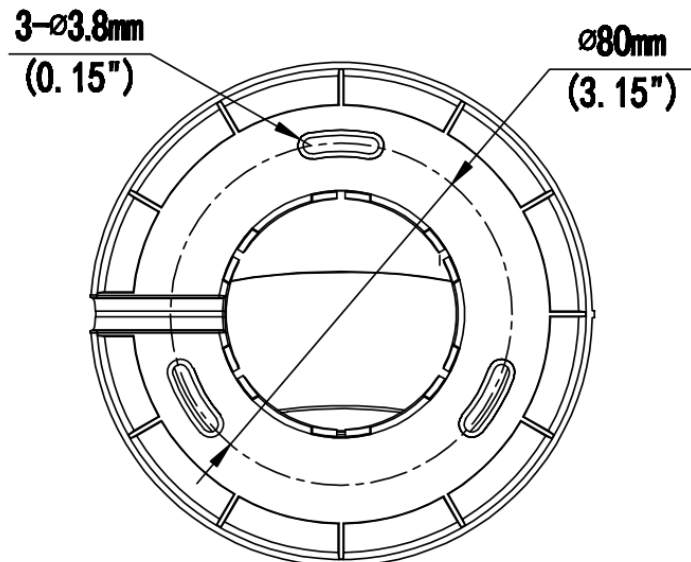
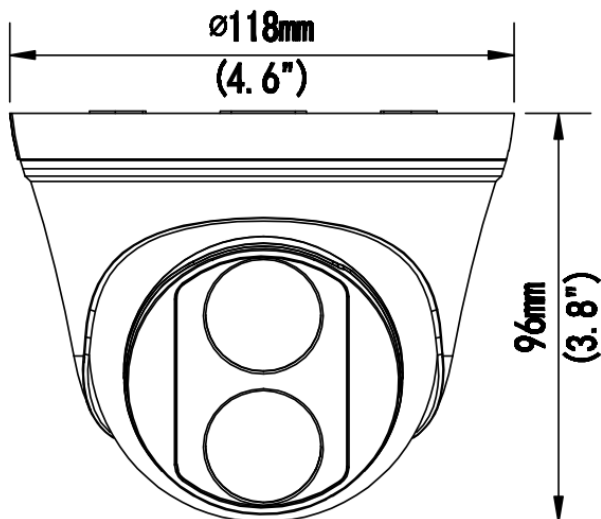
IP67



PoE Support



Smart



Specification

	Model No.ZZ	HU-ND522D/I3E
Camera	Image Sensor	1/2.7" CMOS sensor
	Resolution	5Mp
	Minimum Illumination	Colour: 0.01Lux (F2.0, AGC ON), 0Lux with IR on
Lens	Focus length	2.8mm
	Lens Type	Fixed
	View Angle	H: 105.3°, V: 69.5°, O: 136.9°
	DORI distance	D: 42m, O: 16.8m, R: 8.4m, I: 4.2m
Night vision	IR range	Up to 30m
Camera features	DNR	2D/3D DNR
	S/N	>52dB
	WDR	DWDR
	HLC	Support
	BLC	Support
	OSD	Up to 4 OSD
	Privacy Mask	Up to 4 areas
	Motion detection	Up to 4 areas
Smart	Behavior Detection	Intrusion, Human Body Detection, Motion Detection, Tampering Alarm
	Intrusion	Enter and loiter in a pre-defined virtual region
Video	Video compression	Ultra 265, H.265, H.264, MJPEG
	H.264 code profile	Baseline profile, Main Profile, High Profile
	Frame rate	Main Stream: 5MP (2592*1944), Max 20fps; Sub Stream: 720P (1280*720), Max 20fps
Network	Onvif	ONVIF (Profile S, Profile T), API
	Interface	10/100M Base-TX Ethernet
	Web Browser	Plug-in required live view: IE9+, Chrome 41 and below, Firefox 52 and below
General	Power	DC 12V±25%, PoE (IEEE 802.3af), Max 4W
	Waterproof	IP67
	Working Enviroment	-30°C ~ 60°C (-22°F ~ 140°F), Humidity: ≤95% RH (non-condensing)
	Weight	0.35kg
	Dimensions	Φ118 x 96mm (Φ4.6" x 3.8")