

HU-ND821DMST/I4E-AF



KEY FEATURES

- Ultra 265, H.265, H.264
- IR range: Up to 40m
- Support Starlight
- IP67
- IK10
- Two-way Audio (Connect external speaker and microphone)
- Support Micro SD, up to 256GB
- Support PoE
- Smart Function: Motion Detection, Tampering alarm, Audio detection, Cross line, Intrusion detection

Specification

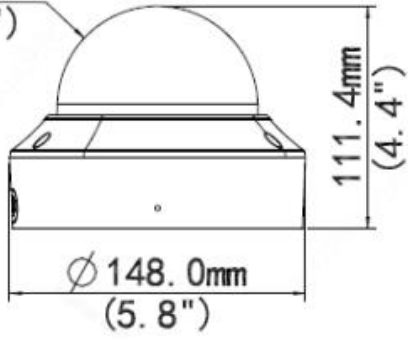
	Model No.ZZ	HU-ND821DMST/I4E-AF
Camera	Image Sensor	1/2.8" CMOS sensor
	Resolution	8Mp
	Minimum Illumination	Colour: 0.0025Lux (F1.6, AGC ON), 0Lux with IR on
Lens	Focus length	2.8~12mm
	Lens Type	Auto focus, motorized zoom lens
	View Angle	H: 107.4°~ 29.2°, V: 54.2°~ 16.3°, D: 111.0°~33.1°
	DORI distance	D: 86.9~372.4m, O: 34.8~149.0m, R: 17.4~74.5m, I: 8.7~37.2m
Night vision	IR range	Up to 40m
Camera features	Starlight	Support
	DNR	2D/3D DNR
	S/N	>52dB
	WDR	120dB
	HLC	Support
	BLC	Support
	Defog	Digital Defog
	Privacy Mask	Up to 4 areas
Smart Function	Basic Detection	Motion Detection, Tampering alarm, Audio detection, cross line, intrusion
Video	Video compression	Ultra 265, H.265, H.264, MJPEG
	H.264 code profile	Baseline profile, Main Profile, High Profile
	Frame rate	Main Stream: 8MP (3840*2160), Max 20fps; 5MP (3072*1728), 4MP (2560*1440), 1080P (1920*1080), Max 30fps; Sub Stream: 1080P (1920*1080), 720P (1280*720), D1 (720*576), 640*360, 2CIF(704*288), CIF(352*288), Max 30fps; Third Stream: D1 (720*576), 640*360, 2CIF(704*288), CIF(352*288), Max 30fps;
Audio	Two-way Audio	Support(connect external speaker and microphone)
	Audio Compression	G.711
	Suppression	Support
	Sampling Rate	8kHz
Interface	Audio I/O	1/1
	Alarm I/O	1/1
Network	Protocols	IPv4, IPv6,IGMP, ICMP, ARP, TCP, UDP, DHCP, PPPoE, RTP, RTSP, RTCP, DNS, DDNS, NTP, FTP, UPnP, HTTP, HTTPS, SMTP, 802.1x, SNMP, QoS, RTMP,SSL/TLS, SSH
	Web Browser	Plug-in required live view: IE9+, Chrome 41 and below, Firefox 52 and below
	Onvif	ONVIF (Profile S, Profile T), API
	Interface	10/100M Base-TX Ethernet
	Client	Hu-viewer Plus, Hu-VMS

Specification

General	Storage	Micro SD, up to 256 GB
	Power	DC 12V±25%, PoE (IEEE 802.3af), Max 9.0W
	Waterproof	IP67
	Vandal Resistant	IK10
	Surge Protection	6kV
	Working Enviroment	-30°C ~ 60°C (-22°F ~ 140°F), Humidity: ≤95% RH (non-condensing)
	Weight	0.97kg
	Dimensions	Φ148 x 111.4mm

Dimensions

S ϕ 100.3mm
(3.9")



3* ϕ 4.5mm
(0.2")

