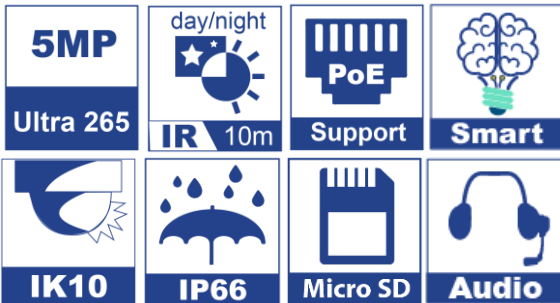
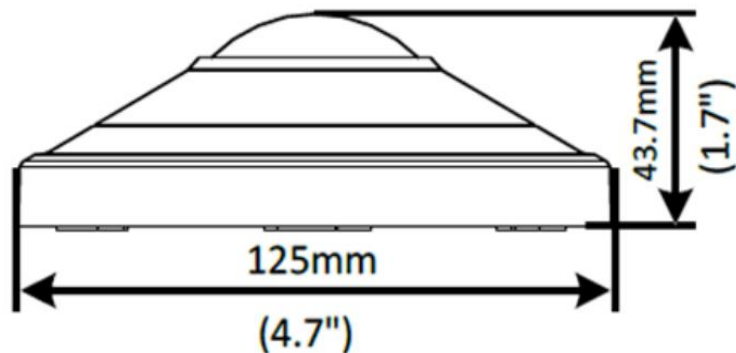
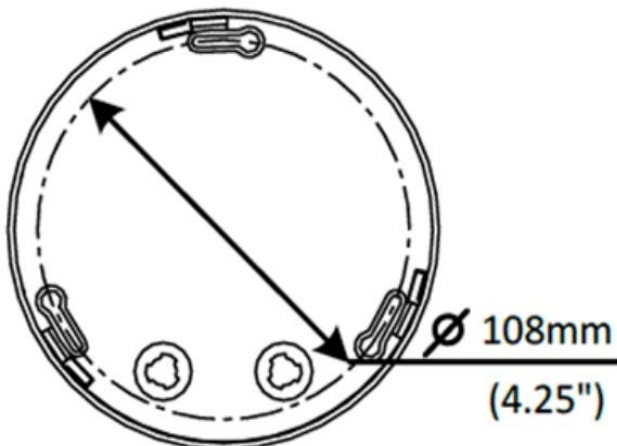


HU-NF510DM/I1E



KEY FEATURES

- Ultra 265, H.265, H.264
- IR range: Up to 10m
- IP66, IK10
- Support Micro SD, up to 256GB
- Two-way Audio
- Support PoE
- Smart Function: Motion Detection, Tampering Alarm, Heat Map



Specification

| | | |
|------------------------|----------------------|--|
| | Model No.ZZ | HU-NF510DM/I1E |
| Camera | Image Sensor | 1/2.8" CMOS sensor |
| | Resolution | 5Mp |
| | Minimum Illumination | Colour: 0.01Lux (F2.0, AGC ON), 0Lux with IR on |
| Lens | Focus length | 1.4mm |
| | Lens Type | Fixed |
| | View Angle | 360° |
| | DORI distance | D: 31.5m, O: 12.6m, R: 6.3m, I: 3.2m |
| Night vision | IR range | Up to 10m |
| Camera features | DNR | 2D/3D DNR |
| | S/N | >55dB |
| | WDR | 120dB |
| | HLC | Support |
| | BLC | Support |
| | Defog | Digital Defog |
| | Flip | Normal/Vertical/Horizontal/180° |
| | Privacy Mask | Up to 8 areas |
| | Motion detection | Up to 4 areas |
| Smart | Behavior Detection | Motion Detection, Tampering Alarm, Heat Map |
| Video | Video compression | Ultra 265, H.265, H.264, MJPEG |
| | H.264 code profile | Baseline profile, Main Profile, High Profile |
| | Frame rate | Main Stream: (2592×1944): Max.30fps; Sub Stream: (1920×1080): Max.30fps; Third Stream: D1(720 x 576): Max.30 fps |

Specification

| | | |
|------------------|--------------------|---|
| Audio | Built-in Mic | Support |
| | Audio Compression | G.711 |
| | Two-way Audio | Support |
| | Suppression | Support |
| | Sampling Rate | 8kHz |
| Interface | Audio I/O | Input: Impedance 35k Ω ; amplitude 2 V[p-p] Output: Impedance 600 Ω ; amplitude 2 V[p-p] |
| | Alarm I/O | 1/1 |
| | Video Output | 1 BNC, impedance 75 Ω ; amplitude 1 V [p-p] |
| Network | Onvif | ONVIF (Profile S, Profile T), API |
| | Interface | 10/100M Base-TX Ethernet |
| | Web Browser | Plug-in required live view: IE9+, Chrome 41 and below, Firefox 52 and below |
| | Client | Hu-Viewer, Hu-VMS |
| General | Storage | Micro SD, up to 256GB |
| | Power | DC 12V \pm 25%, PoE (IEEE 802.3af), Max 8.9W |
| | Waterproof | IP66 |
| | Vandal Resistant | IK10 |
| | Surge Protection | 6kV |
| | Working Enviroment | -40°C ~ 60°C (-40°F ~ 140°F), Humidity: \leq 95% RH (non-condensing) |
| | Weight | 0.39kg |
| | Dimensions | Φ 125 \times 43.7 mm (Φ 4.9" \times 1.7") |