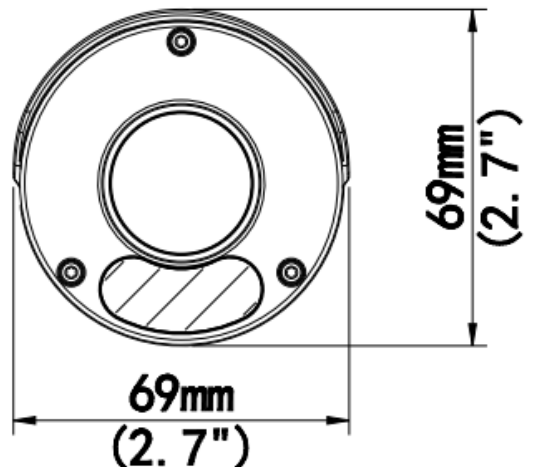
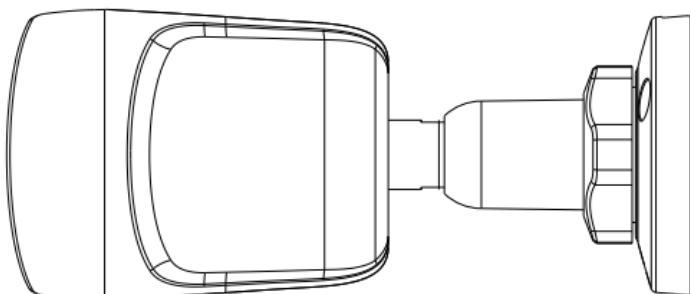
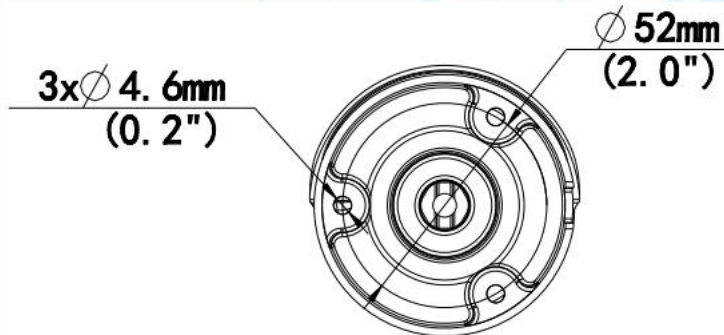
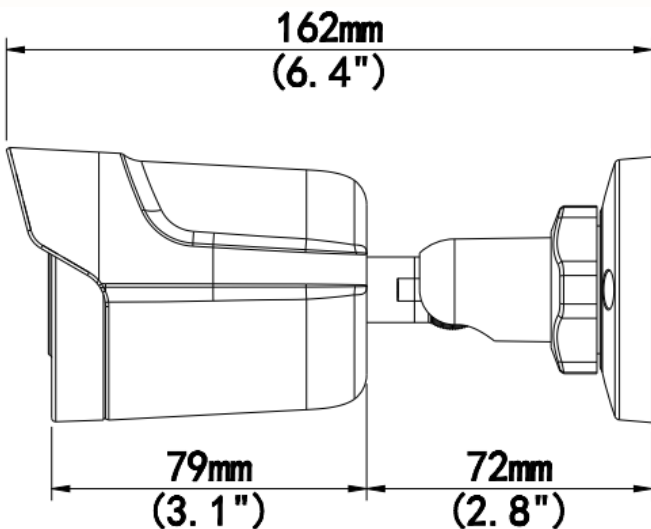
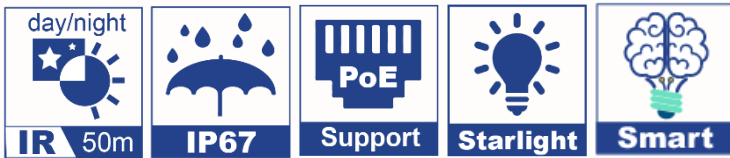


## HU-NP242DS/I5E HU-NP222DS/I5E

### KEY FEATURES

- Ultra 265, H.265, H.264
- IR range: Up to 50m
- IP67
- Support Starlight
- Support PoE
- Smart Function: Human Body Detection, Motion Detection, Tampering Alarm



## Specification

	Model No.ZZ	HU-NP242DS/ISE	HU-NP222DS/ISE
Camera	Image Sensor	1/2.7" CMOS sensor	
	Resolution	2Mp	
	Minimum Illumination	Colour: 0.005Lux (F1.6, AGC ON), 0Lux with IR on	
Lens	Focus length	4.0mm	2.8mm
	Lens Type	Fixed	
	View Angle	H: 86.5°, V: 44.1°, O: 106.4°	H: 112.7°, V: 60.1°, O: 146.5°
	DORI distance	D: 60m, O: 24m, R: 12m, I: 6m	D: 42m, O: 16.8m, R: 8.4m, I: 4.2m
Night vision	IR range	Up to 50m	
Camera features	Starlight	Support	
	DNR	2D/3D DNR	
	S/N	>52dB	
	WDR	DWDR	
	HLC	Support	
	BLC	Support	
	Defog	Digital Defog	
	Privacy Mask	Up to 4 areas	
	Motion detection	Up to 4 areas	
Smart	Behavior Detection	Human Body Detection, Motion Detection, Tampering Alarm	
Video	Video compression	Ultra 265, H.265, H.264	
	H.264 code profile	Baseline profile, Main Profile, High Profile	
	Frame rate	Main Stream: 2MP (1920*1080), Max 30fps; Sub Stream: 4CIF (704*576), Max 30fps	
Network	Web Browser	Plug-in required live view: IE9+, Chrome 41 and below, Firefox 52 and below	
	Onvif	ONVIF (Profile S, Profile T), API	
	Interface	10/100M Base-TX Ethernet	
General	Power	DC 12V±25%, PoE (IEEE 802.3af), Max 6W	
	Waterproof	IP67	
	Surge Protection	2kV	
	Working Enviroment	-30°C ~ 60°C (-22°F ~ 140°F), Humidity: ≤95% RH (non-condensing)	
	Weight	0.5kg	
	Dimensions	191.3×72.6×70.9mm (7.5"×2.9"×2.8")	