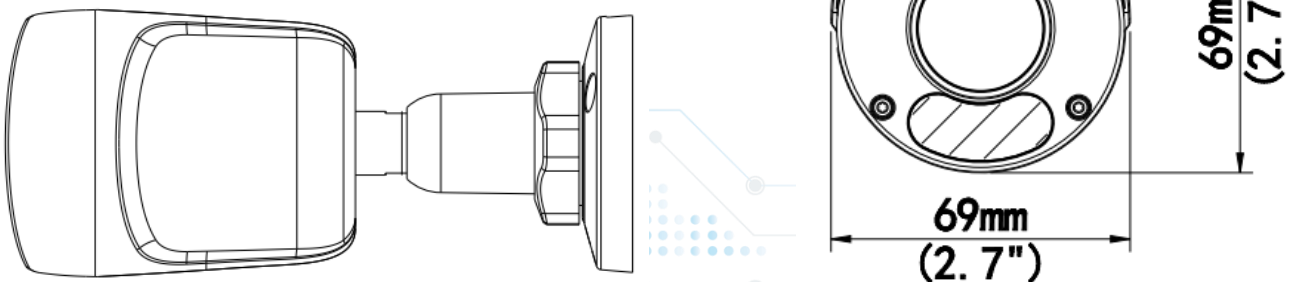
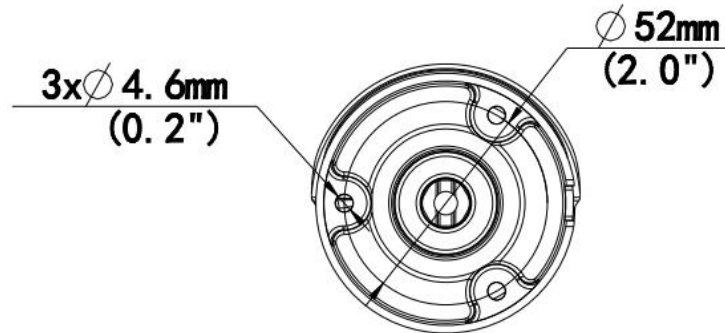
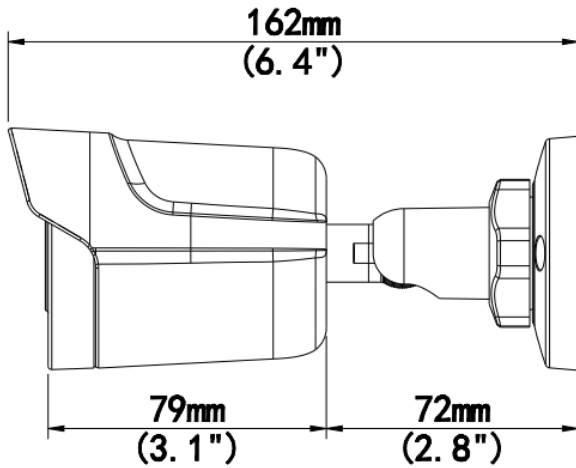


HU-NP542D/I3E



KEY FEATURES

- Ultra 265, H.265, H.264
- IR range: Up to 30m
- IP67
- Support PoE
- Smart Function: Intrusion, Human Body Detection, Motion detection, Tampering alarm, Enter and loiter in a pre-defined virtual region



Specification

| | Model No.ZZ | HU-NP542D/I3E |
|-----------------|----------------------|---|
| Camera | Image Sensor | 1/2.7" CMOS sensor |
| | Resolution | 5Mp |
| | Minimum Illumination | Colour: 0.01Lux (F2.0, AGC ON), 0Lux with IR on |
| Lens | Focus length | 4.0mm |
| | Lens Type | Fixed |
| | View Angle | H: 79.7°, V: 51.8°, O: 98.0° |
| | DORI distance | D: 60m, O: 24m, R: 12m, I: 6m |
| Night vision | IR range | Up to 30m |
| Camera features | DNR | 2D/3D DNR |
| | S/N | >52dB |
| | WDR | DWDR |
| | HLC | Support |
| | BLC | Support |
| | Privacy Mask | Up to 4 areas |
| | Motion detection | Up to 4 areas |
| Smart | Behavior Detection | Intrusion, Human Body Detection, Motion detection, Tampering alarm |
| | Intrusion | Enter and loiter in a pre-defined virtual region |
| Video | Video compression | Ultra 265, H.265, H.264, MJPEG |
| | H.264 code profile | Baseline profile, Main Profile |
| | Frame rate | Main Stream: 5MP (2592*1944), Max 20fps Sub Stream: 720P (1280*720), Max 20fps |
| Smart | Behavior Detection | Intrusion, Human Body Detection, Motion detection, Tampering alarm |
| | Intrusion | Enter and loiter in a pre-defined virtual region |
| Network | Onvif | ONVIF (Profile S, Profile T), API |
| | Interface | 10/100M Base-TX Ethernet |
| | Web Browser | Plug-in required live view: IE9+, Chrome 41 and below, Firefox 52 and below |
| General | Power | DC 12V±25%, PoE (IEEE 802.3af), Max 4W |
| | Waterproof | IP67 |
| | Working Environment | -30°C ~ 60°C (-22°F ~ 140°F), Humidity: ≤95% RH (non-condensing) |
| | Weight | 0.45kg |
| | Dimensions | 167.3 × 62.9 × 62.7mm (6.6" × 2.5" × 2.5") |