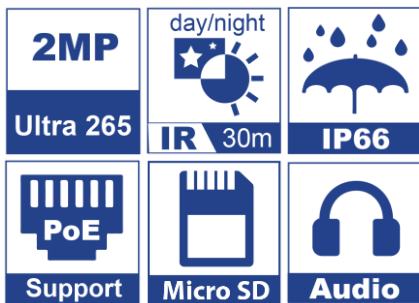
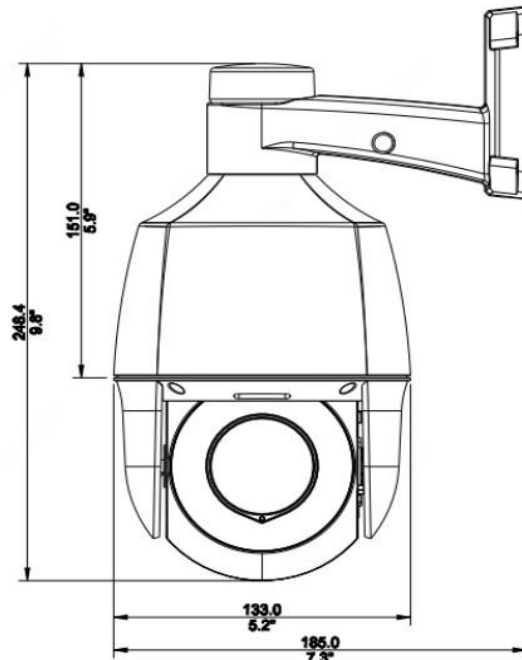


HU-NZ22F4/I3E



KEY FEATURES

- Ultra 265, H.265, H.264
- IR range: Up to 30m
- IP66
- Two-way Audio
- Support Micro SD, up to 128GB
- Support PoE



Specification

	Model No.ZZ	HU-NZ22F4/I3E
Camera	Image Sensor	1/2.8" CMOS sensor
	Resolution	2Mp
	Minimum Illumination	Colour: 0.001Lux (F2.0, AGC ON), 0Lux with IR on
Lens	Focus length	4mm
	Lens Type	Fixed
	View Angle	H: 84.3°, V:42.8°, O: 103.7°
	DORI distance	D: 62.1m, O: 24.8m, R: 12.4m, I: 6.2m
Night vision	IR range	Up to 30m
Camera features	DNR	2D/3D DNR
	S/N	>52dB
	WDR	120dB
	HLC	Support
	BLC	Support
	Flip	Normal/Vertical/Horizontal/180°
	Privacy Mask	Up to 8 areas
Video	Motion detection	Up to 4 areas
	Video compression	Ultra 265, H.265, H.264, MJPEG
	H.264 code profile	Baseline profile, Main Profile
	Frame rate	Main Stream: 1920*1080/ 720P, Max 30 fps; Sub Stream: 1280x 720, Max 30 fps; Third Stream: CIF (352*288), Max 30 fps

Specification

Audio	Built-in Mic	Support
	Built-in Speaker	Support
	Audio Compression	G.711
	Suppression	Support
	Sampling Rate	8kHz
Network	Web Browser	Plug-in required live view: IE9+, Chrome 41 and below, Firefox 52 and below
	Client	Hu-Viewer, Hu-VMS
	Onvif	ONVIF (Profile S, Profile T), API
	Interface	10/100M Base-TX Ethernet
PTZ	Preset	256
	Pan range	345°
	Pan Speed	0.1° ~ 50°/s, preset speed 50°/s
	Tilt range	90°
	Tilt speed	0.1° ~ 40°/s, preset speed 40°/s
	Patrol	Preset patrol, Route patrol
General	Storage	Micro SD, up to 128GB
	Power	DC 12V±25%, PoE (IEEE 802.3at), Max 14W
	Waterproof	IP66
	Surge Protection	4kV
	Working Enviroment	-20°C ~ 60°C (-4°F to 140°F), Humidity:≤ 95% RH(non-condensing)
	Storage Enviroment	-20°C ~ 60°C (-4°F to 140°F), Humidity:≤ 95% RH(non-condensing)
	Weight	1.06kg
	Dimensions	Φ133mm*248.4mm (Φ5.2" x 9.8")