



## CloudSwitch MGPlus 8

# Cloud Managed 8-Port Multi-Gigabit 2.5 Gb Switch with 4 x SFP+ Uplink Ports

### Overview

EnGenius Cloud Managed Layer 2+ Multi-Gigabit 2.5Gb Switch, ECS2512, provides SMBs with an easy-to-use and cost-effective network solution. With its 8-Port 2.5G and 4-Port 10G SFP+ uplink, it ensures high-speed data transfer for bandwidth-intensive applications. With zero-touch provisioning and centralized cloud management, it simplifies network management and saves time.



### Features & Benefits

- 8 x 2.5G Ports to unleash elevated speeds for NAS, workstations or WiFi 6 APs
- 4 x 10G SFP+ (fiber) uplink ports to high-speed NAS and servers for a high-performance network
- Zero touch provisioning, centralized cloud management and visualized monitoring
- Hybrid cloud switch supports flexible management options such as EnGenius Cloud or standalone
- Robust security that supports Port based / MAC based ACL Storm control, DHCP Snooping, DOS Attack Prevention, 802.1X & RADIUS Authentication and more
- Optimized for quality voice and video traffic with Voice-VLAN feature

# Technical Specifications

## Technical Specifications

### Port Standards

802.3u 100Base-TX Ethernet

802.3ab 1000Base-T Ethernet

802.3bz 2.5G/5GBase-T Ethernet

802.3x Full-Duplex Flow Control

### Network Port - Multi-Gigabit Ethernet Ports

8x100/1000/2500 Mbps Ports

### Network Port - SFP+ Ports

4x SFP+ Ports

### Switching Capacity

120Gbps

### SDRAM

512MB

### Flash Memory

128MB

### Power Source

100 to 240 VAC, 50/60Hz

## Physical Interface

### System Indicators

Power LED

Fault LED

### Port Indicators

Link/Activity/Speed (per Ethernet port)

Link/Activity/Speed (per SFP slot)

## L3 Software Features

### Multiple IP Interface

20 IPv6 address

### ARP Table

Max. 192 ARP entries

### IPv4 Static Route

Max. 63 entries

### IPv6 Static Route

Max. 21 entries

## L2 Software Features

### Network Management

EnGenius Cloud

Local Web GUI

### MAC Address Table

16k

### Jumbo frame size

10K

### Multicast Group

Max 256 groups

### MLD Snooping

MLD Snooping: v1

### QoS-number of Priority Queues Supported

Queue 8

### QoS Trust Mode

Cos/802.1p

DSCP

CoS/802.1p-DSCP

### Scheduling Mechanism

Strict / WRR/ Strict + WRR

### Bandwidth Control

Port-based bandwidth control (Ingress/Egress)

### Port Security

Max. 256 Entries

### Access Control List (ACL)

MAC Based ACL

IPv4/IPv6 Based ACL

ACL Binding

### Web Graphical User Interface (GUI)

HTTP IPv4 / IPv6

HTTPS IPv4 / IPv6

### SNMP

SNMP v1/v2c/v3 Support

### RMON

RMON 1,2,3,9

### System Time

Time Setting/Daylight saving

### Common L2 Features

802.1D Spanning Tree

802.1w Rapid Spanning Tree

802.1S Rapid Spanning Tree

Loopback Detection

Multicast Filtering

IGMP Snooping

802.1Q VLAN tagging

802.3x flow control

802.3ad Link Aggregation

IPv4 DHCP Relay

IPv4 DHCP Snooping

IPv4 DHCP Snooping Source MAC Address Check-up

# Technical Specifications

ARP Packet Validation (additional validation checks)
Voice VLAN
Port-based VLAN
CoS Mapping
802.1X Radius Authentication Protocol
IPv4 Settings/ IPv6 Settings
IEEE 802.3az Energy Efficient Ethernet (EEE)
Command Line Interface (CLI)
SSH Server
Telnet Server
TFTP Client
Configuration Upgrade/ Backup
Simple Network Time Protocol (SNTP)
SYSLOG
Broadcast/Unknown Multicast/Unknown Unicast Storm Control

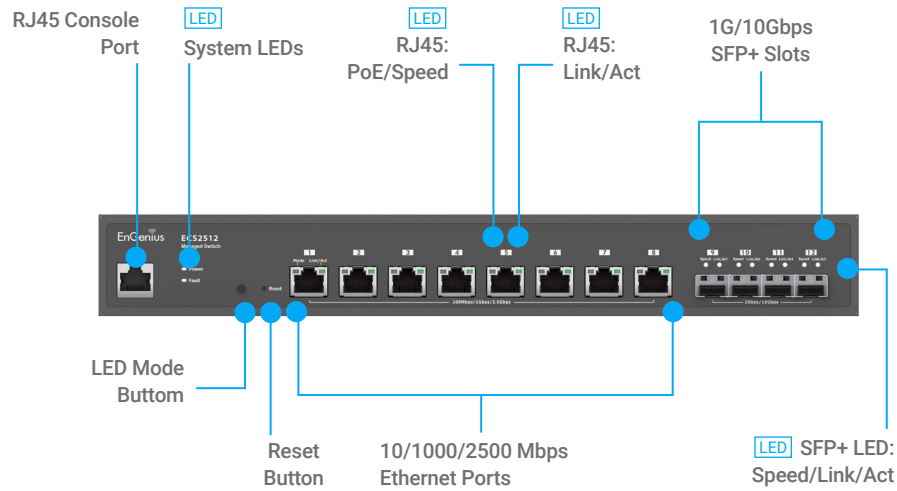
## Environmental & Physical

<b>Temperature Range</b>
Operating: 32°F to 122°F (0°C to 50°C)
<b>Humidity (Non-Condensing)</b>
Operating: 5% - 95%

## Device Dimensions & Weight

<b>Device Dimensions &amp; Weights</b>
Weight: 2.6 kg
Width: 230 mm
Depth: 330 mm
Height: 44 mm
<b>Package Contents</b>
1x Cloud Managed Gigabit Switch
1x Product Card
1x Power Cord
1x RJ45 Console Cable
1x Rack Mount Kit

# Hardware Overviews



**EnGenius Technologies** | Costa Mesa, California, USA

Email: [support@engeniustech.com](mailto:support@engeniustech.com)  
Website: [www.engeniustech.com](http://www.engeniustech.com)  
Local contact: (+1) 714 432 8668

**EnGenius Networks Singapore Pte Ltd.** | Singapore

Email: [techsupport@engeniustech.com.sg](mailto:techsupport@engeniustech.com.sg)  
Website: [www.engeniustech.com/apac/](http://www.engeniustech.com/apac/)  
Local contact: (+65) 6227 1088

**EnGenius Technologies Canada** | Ontario, Canada

Email: [support@engeniustech.com](mailto:support@engeniustech.com)  
Website: [www.engeniustech.com](http://www.engeniustech.com)  
Local contact: (+1) 905 940 8181

**EnGenius Networks Dubai** | Dubai, UAE

Email: [support@engeniustech.com](mailto:support@engeniustech.com)  
Website: [www.engeniustech.com/apac/](http://www.engeniustech.com/apac/)  
Local contact: (+971) 4 339 1227

**EnGenius Networks Europe B.V.** | Eindhoven, Netherlands

Email: [support@engeniustech.com](mailto:support@engeniustech.com)  
Website: [www.engeniustech.com/eu/](http://www.engeniustech.com/eu/)  
Local contact: (+31) 40 8200 887

**恩碩科技股份有限公司** | Taiwan, R.O.C.

Email: [sales@engeniustech.com.tw](mailto:sales@engeniustech.com.tw)  
Website: [www.engeniustech.com/tw/](http://www.engeniustech.com/tw/)  
Local contact: (+886) 933 250 628

Features and specifications subject to change without notice. Trademarks and registered trademarks are the property of their respective owners. These limits are designed to provide reasonable protection against harmful interference in a residential installation. This equipment generates, uses, and can radiate radio frequency energy and, if not installed and used in accordance with the instructions, may cause harmful interference to radio communications. Operation of this equipment in a residential area is likely to cause harmful interference in which case the user will be required to correct the interference at his/her own expense. Prior to installing any surveillance equipment, it is your responsibility to ensure the installation is in compliance with local, state and federal video and audio surveillance and privacy laws.

Version 1.3 06032024

